

URRACO 95

The Power Pack

MATURE – SUPERIOR –

URRACO

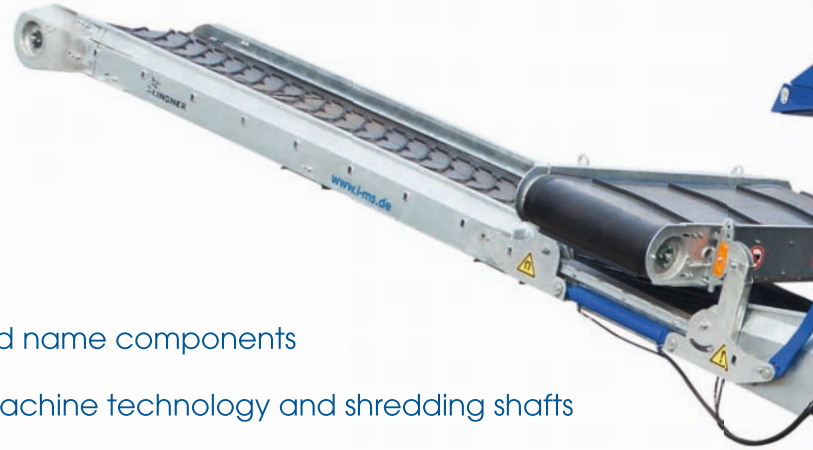


THE URRACO 95

THE MOBILE TWO SHAFT SHREDDER FOR ALMOST ANY MATERIAL

This is what LINDNER Mobile Shredder stands for:

- Mature machinery concept
- Innovative engineering and control technology
- Modular design for your individual requirements
- High quality and durability due to first-class brand name components
- Continuous optimization and development of machine technology and shredding shafts
- Mature due to long-standing know-how



The advantages of the Urraco 95

- Aggressive intake
- High throughput capacity of up to 140 tons per hour at low energy consumption
- High tolerance of foreign objects
- Low cost for wear and tear due to high durability and high quality components
- Service- and maintenance-friendly
- Low dust formation



WOOD WASTE A1 – A4

Demolition wood, pallets, chipboard, cable drums, railway sleepers



BIOMASS

Green waste, rootstock, log wood, palms, silo bales, grass cuttings



WASTE

Domestic waste, organic waste, plastics, PVC





- Breaking cut-out by reversing function
- High operational efficiency
- High shredding quality
- Effective cooling system
- Defined output sizes due to adaptable shaft configurations
- Efficient energy stop for saving diesel fuel



COMMERCIAL WASTE

Bulky waste, C&D waste, paper rolls, tar boards, mixed construction waste



METAL- & LIGHT SCRAP

Car bodies, electric and electronic scrap, engine blocks, alu scrap and alu housings



TIRES

Passenger car-, truck-, wheel loader- and tractor-tires



www.l-ms.de

The ART of innovative SHREDDING!

Discharge Conveyor

The frame of the discharge conveyor is made of a galvanized steel construction, hydraulically height adjustable and impresses with a strong belt drive.

Over-belt magnet

The powerful magnet with extended magnetic core ensures a very high degree of Fe-Separation and is hydraulically height adjustable.

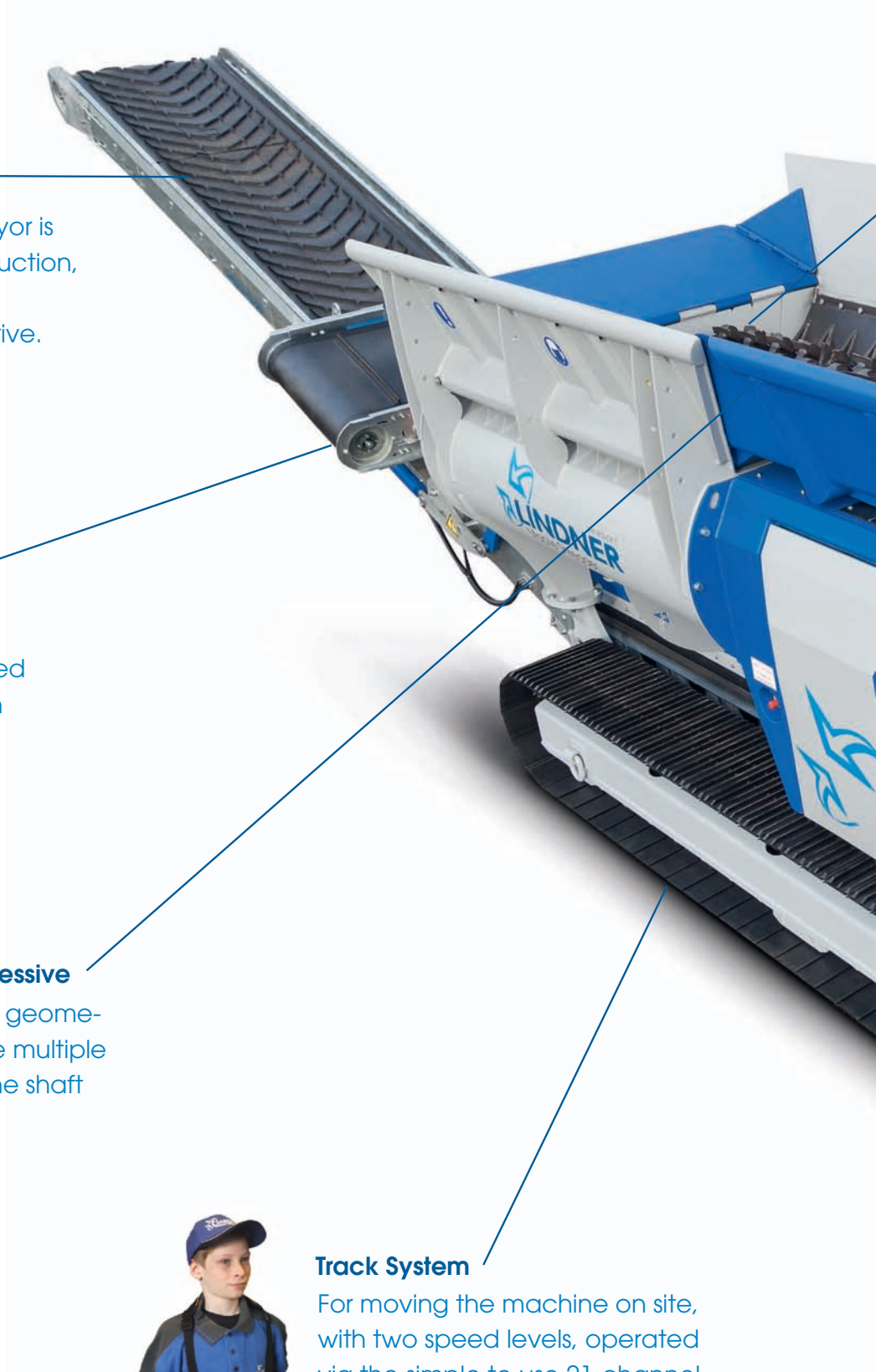
LINDNER Shredding Shafts are impressive

The innovative and unique cutting geometry, the extra strong design and the multiple fracture- and cutting-process in one shaft rotation provide for:

- Aggressive material intake
- High throughput capacity
- Fine and uniform final grain size
- Low energy consumption
- Low cost for wear and tear
- Low percentage of fine grain

Track System

For moving the machine on site, with two speed levels, operated via the simple to use 21-channel remote control.





Two Tilting Hoppers

Very high tilt angles up to 80° haul to press the material to the shredding shafts for optimized feeding.

Touch-Screen-Display with Remote Control

Modern control technology for handling, controls and monitoring of all functions. The machine can be operated simply with a 21-channel remote control from the loading machine.

PowerLine Edition

30% more power and performance due to reinforced hydraulic system and enhanced gearbox with increased torque.

www.l-ms.de

The ART of innovative SHREDDING!



Diesel Drive – stationary (D)

Powerful and economic standard engine for all heavy duty and extremely difficult primary shredding operations.

Scan QR-Code to see the URRACO Diesel in action.



Diesel Track System (DK)

Mounted on track system for deployment in rough terrain and controlled with a simple to use 21-channel remote control.

Scan QR-Code to see the URRACO Diesel Track System in action.



Electric Drive (E)

Model for stationary operations in workshops and central locations, for more economy and environment-friendly applications.

Scan QR-Code to see the URRACO Electric Drive in action.



Further options



Environment-friendly Diesel engine with up-to-date emission standard IV/Tier 4f and IIIB/Tier 4i. Low fuel consumption, low noise and energy saving.



Special shafts for special applications



Water sprinkler system for dust collection



Over-belt magnet



Winter package



Special colors



After-cutting comb



LW-Shafts

The specialist for the fine grain

Wood waste A1 – A2
Biomass
Green waste
Logs
Rootstock

Domestic waste
Tires
Paper rolls
Tar board
Plastics



HW-Shafts

The specialist for the rough stuff

Wood waste A1 – A4
Rootstock
Domestic waste
Bulky waste
C & D waste

Car bodies
FE Light scrap
Alu Light scrap
Electronic scrap
Motor blocks



Final grain: approx. 200 mm
4-fold fracture- and cutting-process
in one shaft rotation



Final grain: approx. 200 mm – 500 mm
Single fracture- and cutting-process
in one shaft rotation

www.l-ms.de

The ART of innovative SHREDDING!

The Power Pack

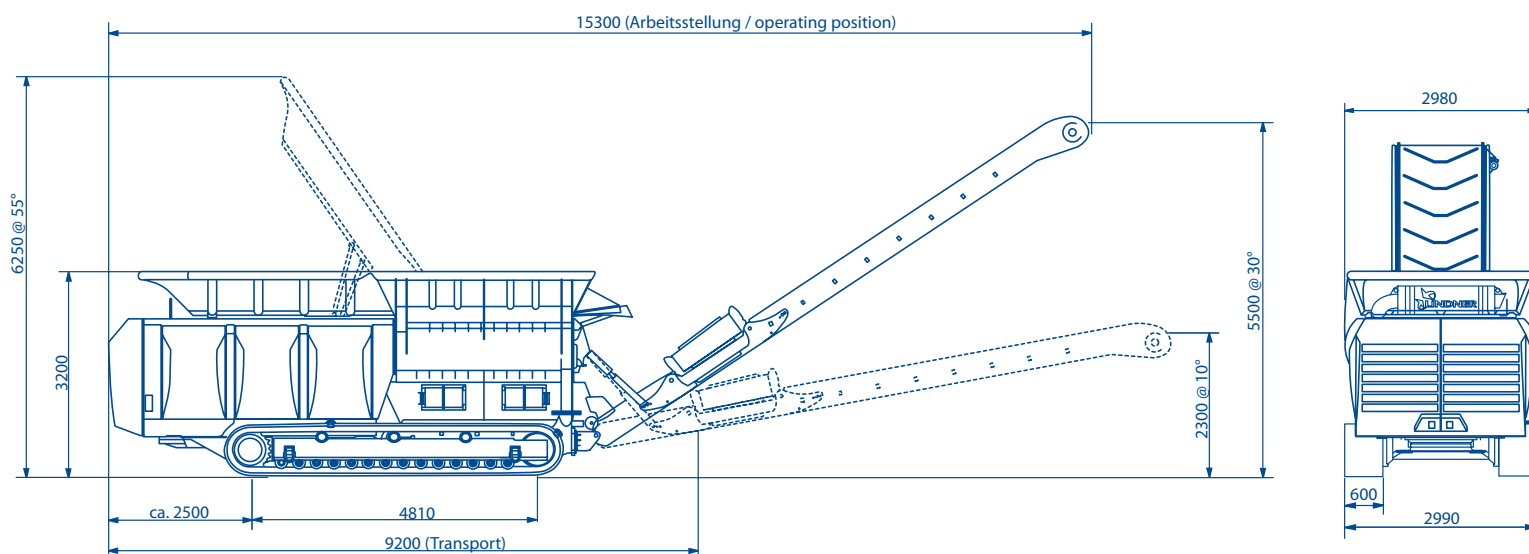
URRACO 95

One of the most powerful two shaft shredders in its class. The ideal primary shredder for almost any material. The Urraco impresses with the aggressive intake, robust construction, quality, cost effectiveness, service-friendliness, modular design, performance and durability.



TECHNICAL DATA	URRACO 95 DK	URRACO 95 E
Drive power	770 PS	2 x 250 kW
Shredding shaft length	2500 mm	2500 mm
Shredding shaft diameter	870 mm	870 mm
Weight machine	42 t	38 t
Weight magnet	3 t	3 t
Weight track system	6 t	—
Speed track system	Stufe 1: 0–1 km/h Stufe 2: 0–2 km/h	
Dimensions (L x B x H)	9,2m x 3,0m x 3,2m	9,2m x 3,0m x 3,2m
CAPACITY AT *	URRACO 95 DK	URRACO 95 E
Wood waste	up to 140 t/h	up to 140 t/h
Metal scrap	up to 40–60 t/h	up to 40–60 t/h
Bulky & commercial waste	up to 80–120 t/h	up to 80–120 t/h
Biomass	up to 350 m³/h	up to 350 m³/h

* Standard data and throughput capacities may vary depending on tools, feeding, specific weights and densities as well as properties of material.



Update: May 2014. Technical changes, misprints and errors reserved. All images are sample pictures. All specifications are approximate.

LINDNER Mobile Shredder GmbH

Industriestraße 1A | D-99820 Hörselberg/Eisenach

T +49 36920 7269-0

E info@l-ms.de

F +49 36920 7269-190

W www.l-ms.de

